

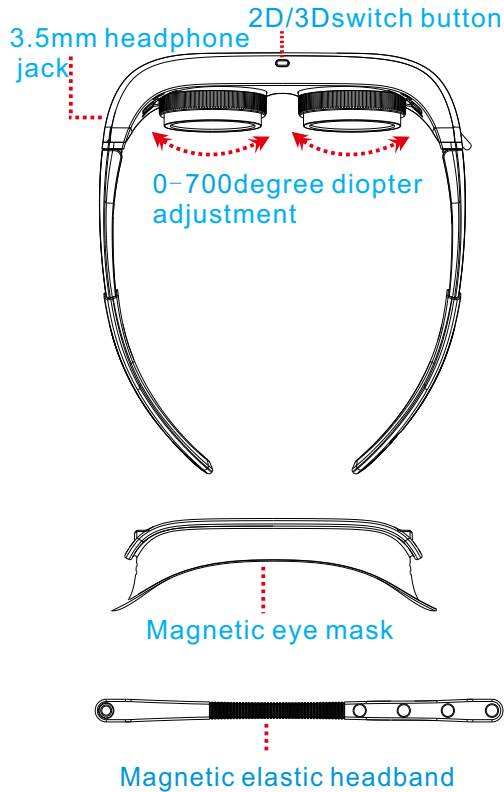
3D SMART GLASSES



3D smart video glasses
E 812

USER MANUAL

Function Description



Function Description

1. Power on

After turning on the smart control host, connect the HDMI output device via HDMI cable, and connect the USB interface to the DC5V power supply, and the 3D glasses can display normally.

2. Power off

Unplug the HDMI and USB cables, the 3D glasses will shut down.

3. 3D switch

If you need to switch 3D, press the 2D/3D switch button to switch between 2D/3D

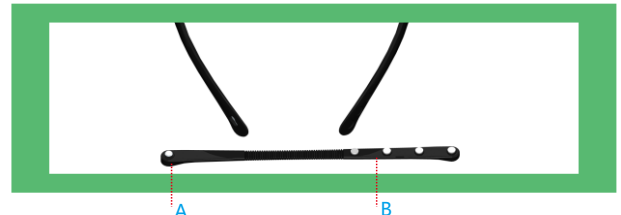
4. External headphone

This product comes with dual directional sound speakers, you can listen to the sound normally after wearing it. Supports external 3.5mm headphone. Plug in the headphone to automatically switch the sound to the headphone.

5. Diopter adjustment (0-700°)

First remove the magnetic eye mask, turn the diopter adjustment knob (each scale corresponds to 100 degrees of myopia), adjust the left and right eyes to the corresponding degrees, and then put on the glasses to make fine adjustments to make the left and right eyes see the image clearly. Then put on the magnetic eye mask and start using it.

6. Headband adjustment



First install end A of the headband to the leg of the glasses. After wearing the glasses, magnetically attract end B of the headband to the other leg of the glasses.

Operation Guidebook

Note:

1. When the 3D glasses are connected to the HDMI output device, directly plug into the HDMI interface.
2. When the power supply of the HDMI output device is insufficient, it may cause the glasses to display abnormally or black screen. Please connect the USB plug to the DC5V power supply.
3. 3D playback function, support left and right format 3D video.
4. The 3D glasses can support devices with HDMI video output function.

Technical Parameter

Item	Parameter
PPI	2.1" 1600 *1600 , PPI up to 1058
Lens	A group of multiple glass lenses
Diopter	0-700 degrees adjustable for myopia
Interface	HDMI interface
Eye relief	18mm
Exit pupil	7mm
Sound	Directional sound speaker, 3.5mm headphone
Operational control	Button
Power consumption	2.5 W
Usage environment	Temperature : -10°C--60°C Humidity : <95%
Dimension	184x165x59 mm/63x165x59mm
Net weigh	150 g

Product Packing List

Product name	3D smart glasses		
Product packing list	Main parts	3D glasses	1 pc
	Accessories	Magnetic eye mask	1 pc
		Headband	1 pc
		USB cable	1 pc
		Cleaning cloth	1 pc
		User manual	1 pc